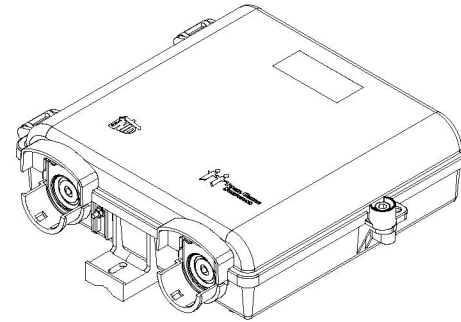
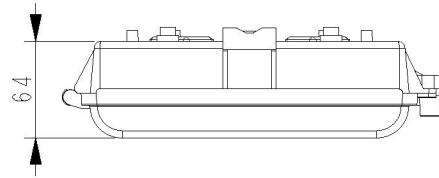
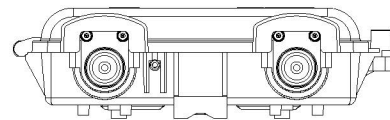
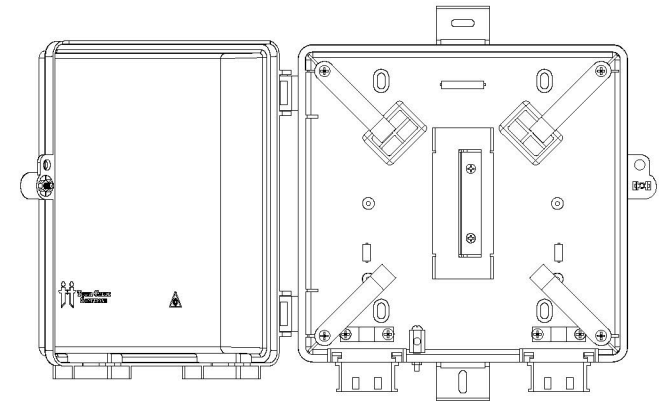
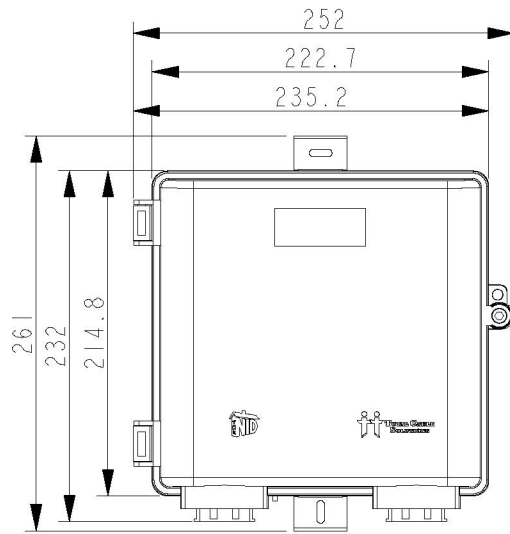
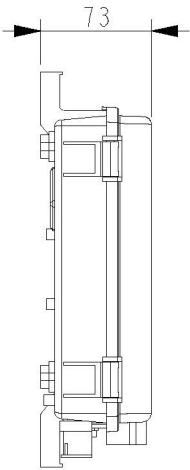


REV.	ECN	DESCRIPTION	SIGN	DATE
A0				



1:5



2		FPP-TN-20000	PC+ABS	I	
I		FPP-TN-L-88-10000	PC+ABS+AL	I	
NO.	NAME	DESCRIPTION	MATERIAL	QTY	NOTE
DRAW	TAO LUO	A/R	1:5	PRODUCTS NO.	FPP-TN-L-88
UNIT	mm	CHK	TAO LUO	PRODUCTS NAME	FPP-TN-L-88
REV.	A0	APR	XH Wang	PART NO.	
DATE	2020-07-20	MAT'L	PC+ABS		
FIG NO.: FPP-TN-L-88-00000				<b>TOTAL CABLE SOLUTIONS</b>	