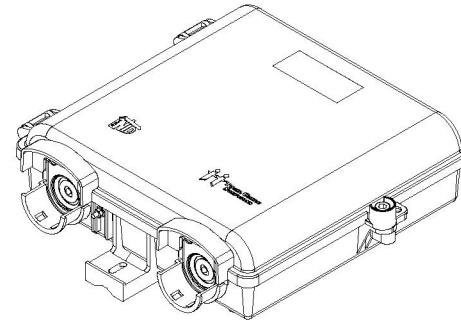
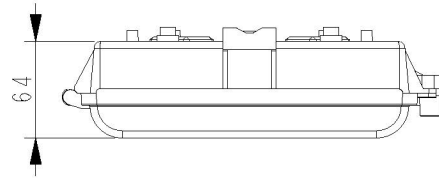
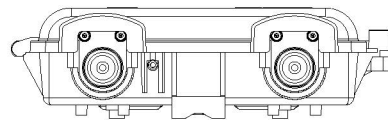
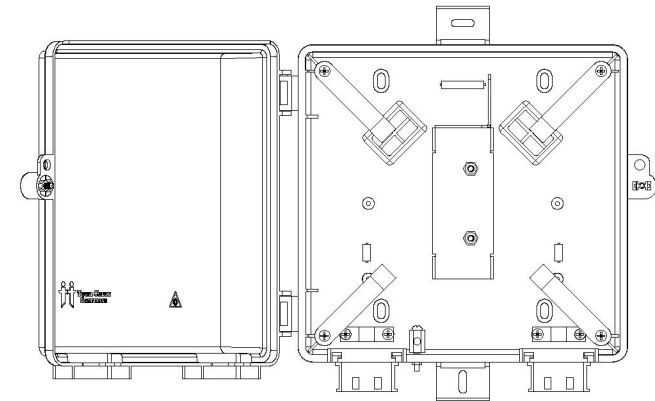
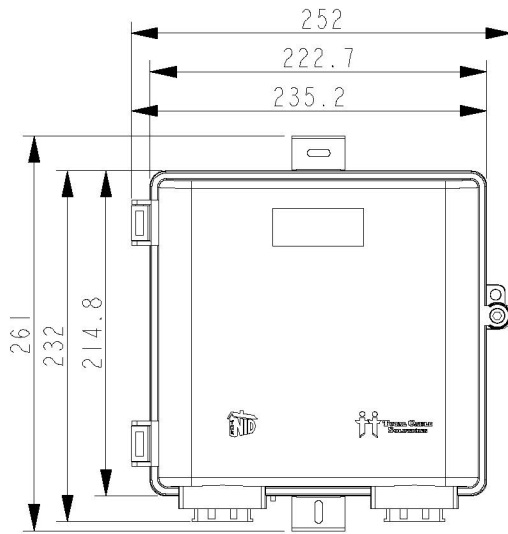
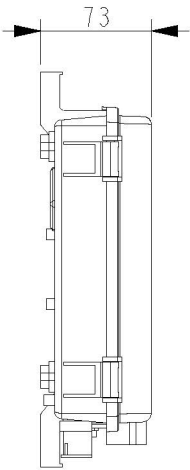


2		I	REV.	ECN	DESCRIPTION	SIGN	DATE
			A0				



1:5



2			FPP-TN-20000	PC+ABS	I	
I			FPP-TN-T-89-10000	PC+ABS+AL	I	
NO.	NAME		DESCRIPTION	MATERIAL	QTY	NOTE
DRAW	TAO LUO	A/R	1:5	PRODUCTS NO.	FPP-TN-T-89	
UNIT	mm	CHK	TAO LUO	PRODUCTS NAME	FPP-TN-T-89	
REV.	A0	APR	XH Wang	PART NO.		
DATE	2020-07-20	MAT'L	PC+ABS			
FIG NO.: FPP-TN-T-89-00000				TOTAL CABLE SOLUTIONS		