

1

2

3

4

5

6

A

A

B

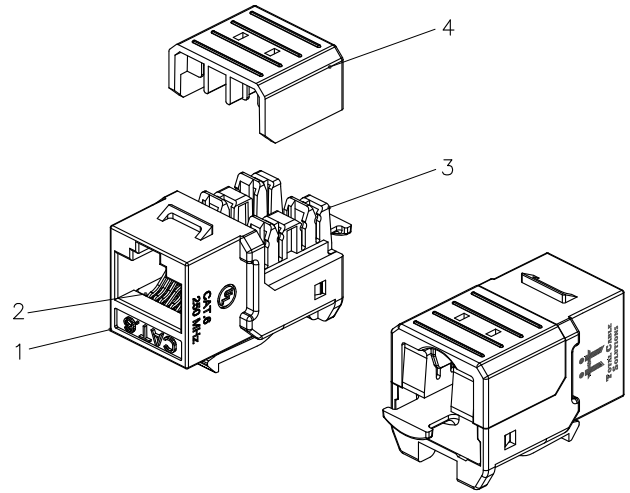
B

C

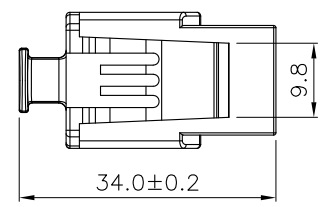
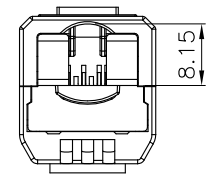
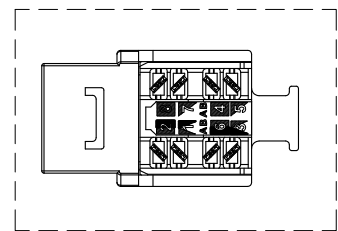
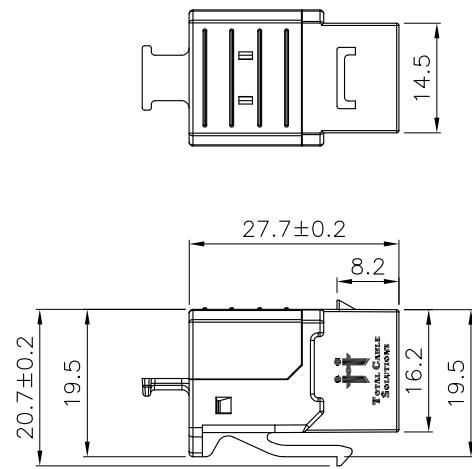
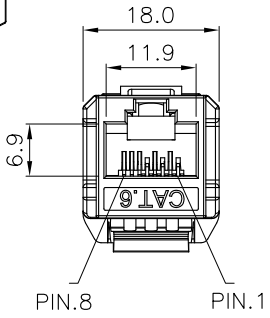
C

D

D



SCALE 1/1



Specification :

Material :


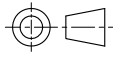

- 1. RJ45 Jack :
 - 1-1. Housing : ABS+PC, UL 94-V0, with optional color.
 - 1-2. Contact Bracket : PBT+Glass Fiber, UL 94V-0, with black color.
- 2. RJ45 Jack Contact :
 - 2-1. Material : Phosphor Bronze with Nickel plated.
 - 2-2. Finish : 50 micro-inch Gold plated on Plug contact area.
- 3. IDC :
 - 3-1. Housing : PC+Glass Fiber, Grey color(RAL7035), UL 94V-2.
 - 3-2. Terminal : Phosphor Bronze with Tin plated.
- 4. IDC Cap : PC 1250Y UL 94V-2, Transparent black.
- 5. PCB : FR4, UL 94V-0.

Performance :

- a. T568A & T568B wiring.
- b. Insertion Force : 20N max. (IEC 60603-7-4).
- c. Retention Strength : 7.7 kg between Jack and Plug.
- d. Operating temperature : -10°C to 60°C. (ISO/IEC 11801, ANSI/TIA 568 C.2)
- e. Life(mating cycles) :
 - e-1. Jack : 750 cycles min. (ISO/IEC 11801, IEC 60603-7-4.)
 - e-2. IDC : Suitable for 23-26 AWG stranded and solid wire, compatible with 110 punch down tool.
- f. The Cat.6 transmission performance is in compliance with the ANSI/TIA 568 C.2 standard. COMPONENT LEVEL

Remark : PRO-KEY-6P-X
 X : Housing Color
 B= Blue (RAL5012)
 G= Gray (RAL7030)
 I= Ivory (Pantone 7527C)
 K=Black (RAL 9011)
 O= Orange (RAL2012)
 W= White (RAL9003)
 A= Light Almond (RAL1013)

Black housing printing white logo, other color printing black

GENERAL TOLERANCE OF DIMENSIONS X.XXX ±0.005 X.XX ±0.05 X.X ±0.1	DRAWING	03.DEC.2018	KLi		 PN: PRO-KEY-6P-X
	CHECK	03.DEC.2018	Jane		
	APPROVAL	03.DEC.2018	Frank		
		DATE	NAME		
	SCALE	1/1(A4)	UNIT	mm	DES.: CAT.6 UNSHIELDED KEYSTONE JACK
	DRAWING NO.		DRAWING CLASSIFICATION		 S SHEET 1 OF 1  A1

1

2

0

3

4

10cm

5

6