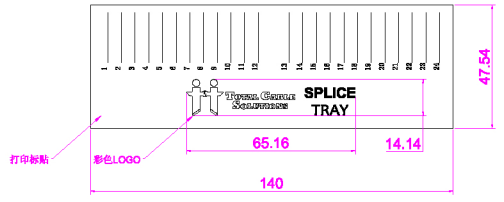
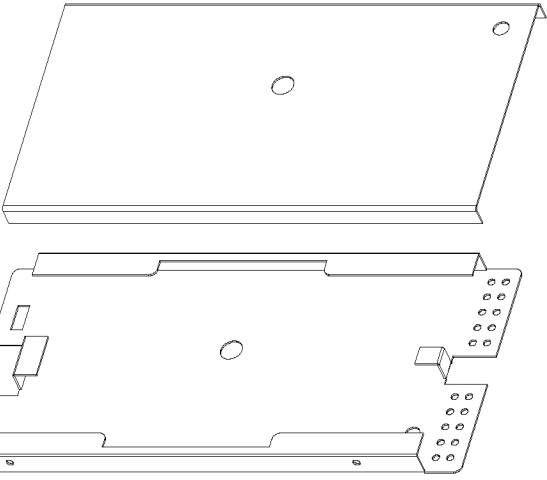
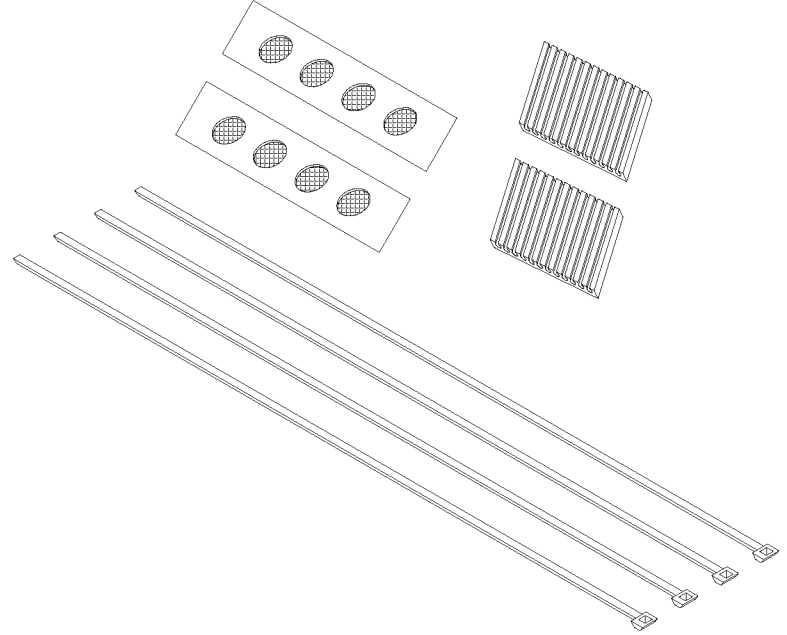
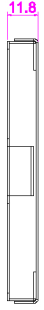
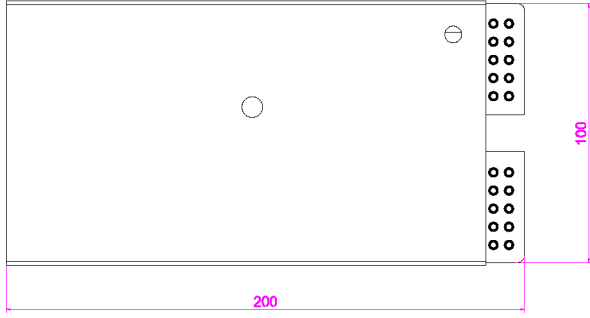
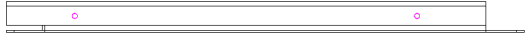


CHANGE			
EDITI	MODIFICATION	DATE	SIGNATURE



Dimensions 4"W x 7.87"L x 0.47"D  
 Capacity 24 Single Fusion Splices (16 Mechanical Splices or 8 Mass Fusion Splices with optional holders)  
 Material Aluminum .8mm thick  
 Color Black  
 Weight Approx. 0.4 lbs.  
 Operating Temperature -20°C - +80°C  
 Finish Polyester Powder Coat  
 Standards Telcordia GR-769  
 Operating Humidity Level Up to 100%

PRODUCT NO	ST-M-24-8	DESCRIPTION					AWG NO	
MATERIAL	T=0.8mm	UNIT	MM	SCALE	1:1	EDITI	A0	
DIMENSIONAL TOLERANCE X.X ±0.3 X.XX ±0.10 X.XXX ±0.050 ANGLE 1°		THIRD ANGLE PROJECTION 		DRAWN TAO LUO	CHECK DATE	DATE 02/03/2019	APPROVAL DATE	