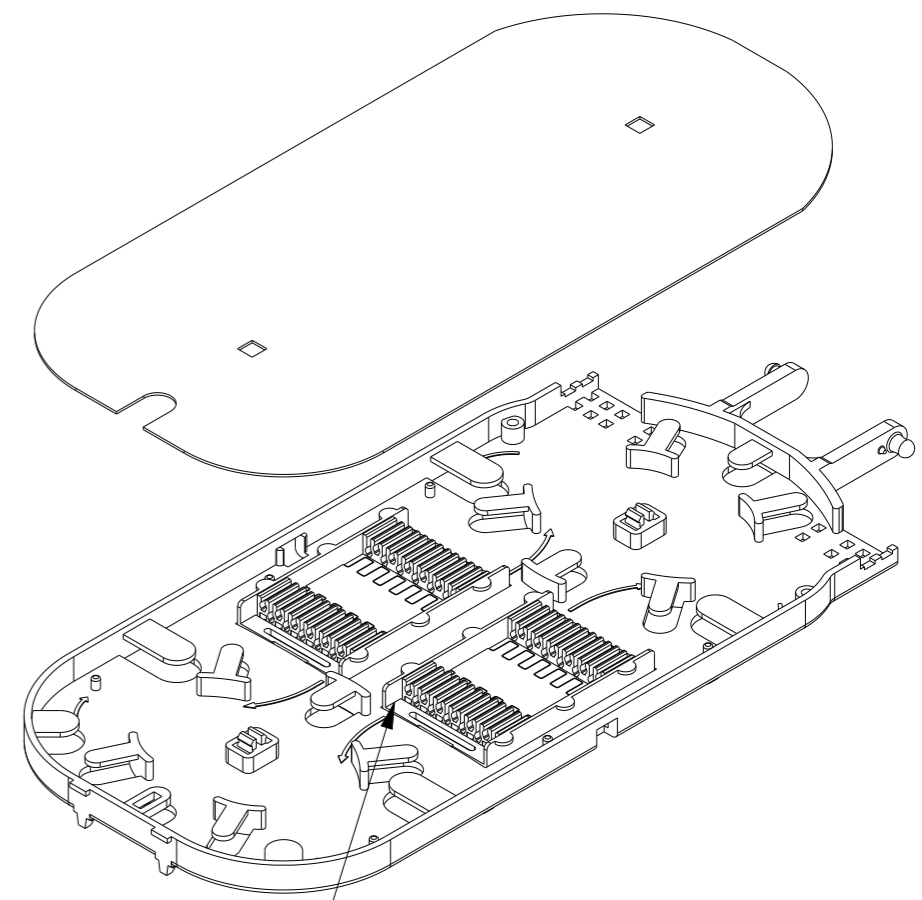
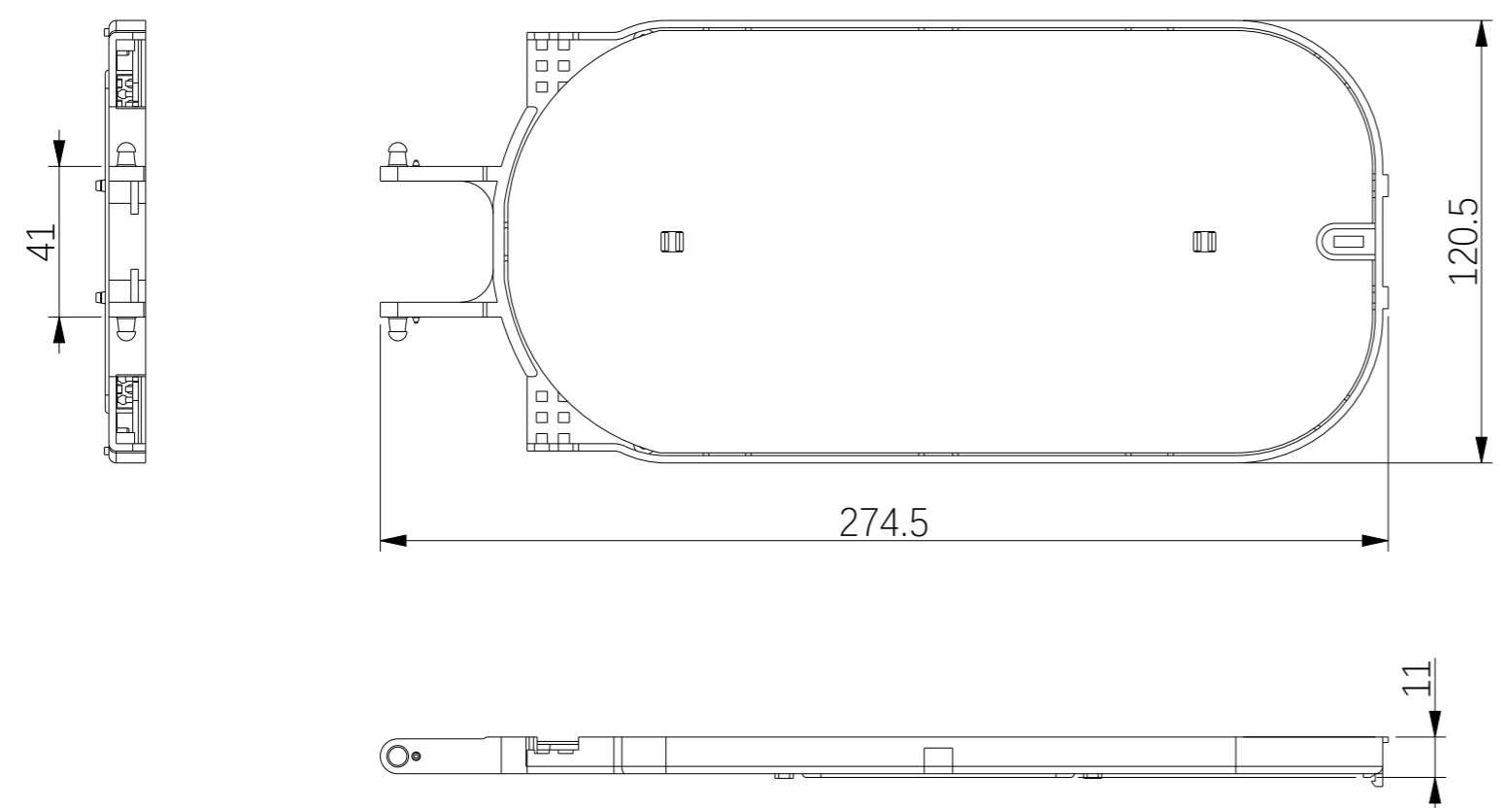
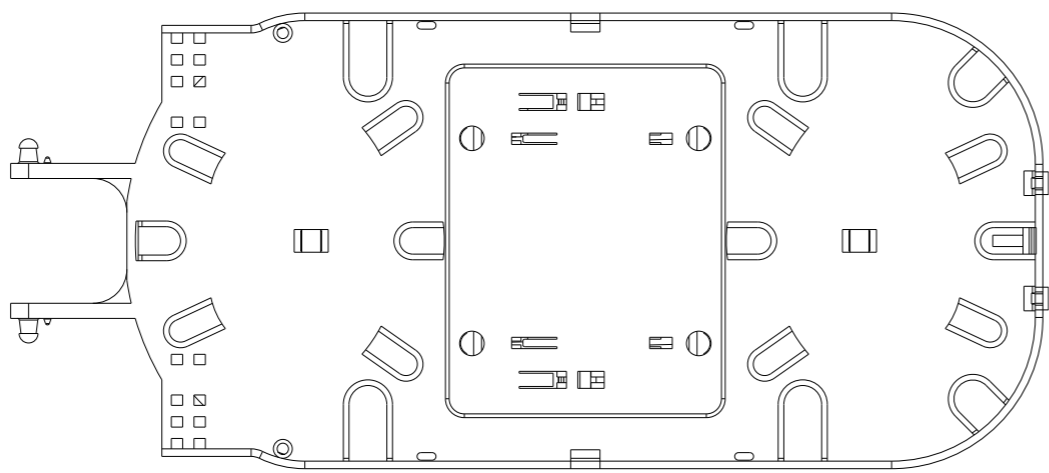
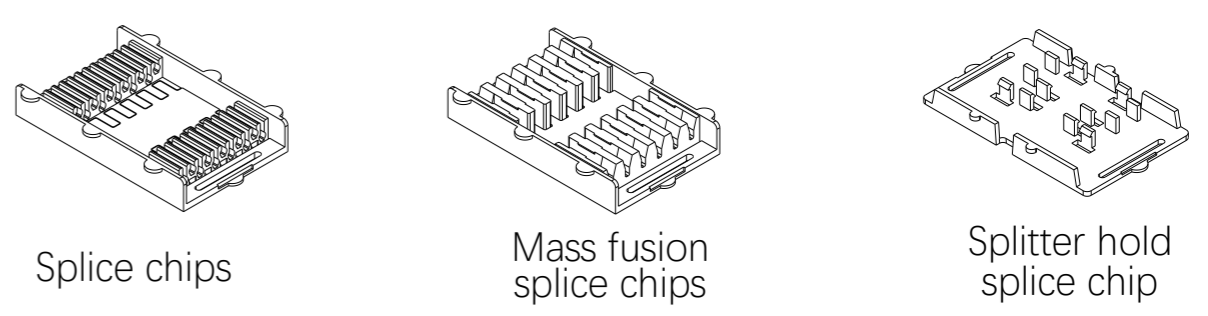


REV	ECN NO.	CHANGE CONTENT	SIGNATURE	DATE
A1		First Issued		



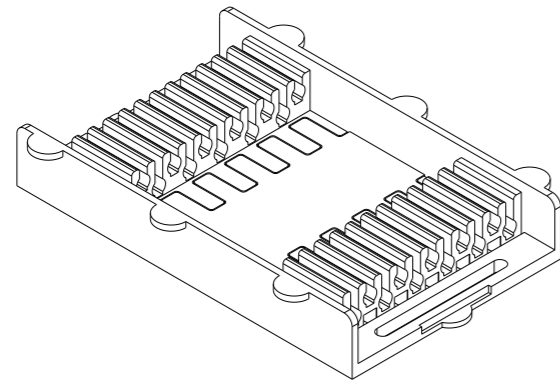
Replaceable splice chips as below



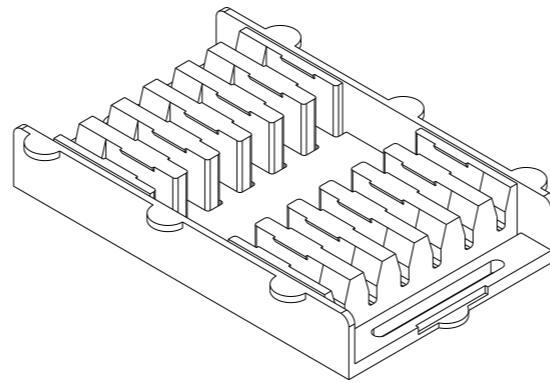
NOTE:
 1. Material: ABS+PC;
 2. Assembly with Replaceable Splice chips.

		SIGNATURE	DATE			
DRAWN	FC SONG	2022-09-28	MAT'L	/	PRODUCT NO.	24_core_fiber_splice_tray
CHK'D	TAO LUO	2022-09-28	UNITS	mm	PRODUCT NAME	
PROCESS		2022-09-28	SCALE	1:2	DRAWING NO.	
APPV'D	ZIDI YE	2022-09-28	TYPE OF PROJECTION		SHEET 1 OF 1	REV A1

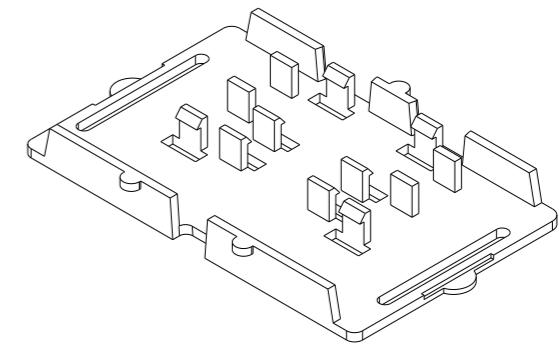
REV	ECN NO.	CHANGE CONTENT	SIGNATURE	DATE
A1		First Issued		



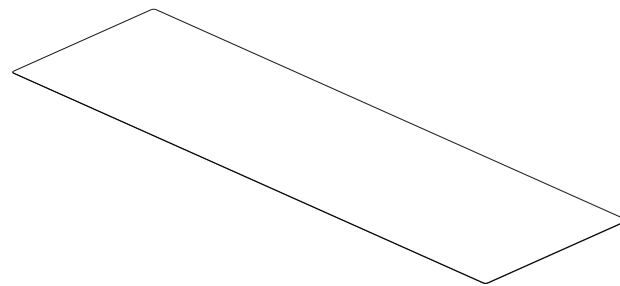
Splice Chips (62.7*39*10mm) x 2



Mass Fusion Splice Chips (62.7*39*10mm) x 2



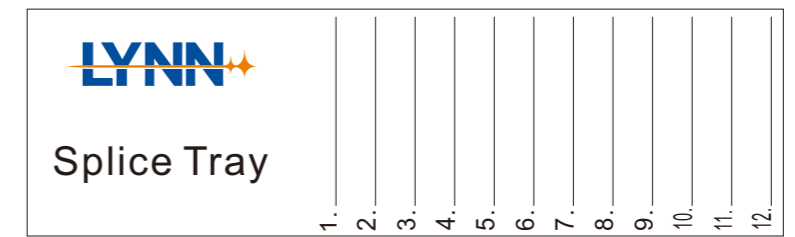
Splitter Hold Splice Chip (62.7*39*10mm) x 1



Velcro Cable Tie Chip 25*300mm



Nylon Cable Tie 2.5*150mm x 2



100mm*30mm Color Printing Label With Logo x 2

/	SIGNATURE	DATE	LYNN			
	DRAWN FC SONG	2022-09-28	MAT'	/	PRODUCT NO.	Accessories List
	CHK'D TAO LUO	2022-09-28	UNITS	mm	PRODUCT NAME	
	PROCESS	2022-09-28	SCALE	1:1	DRAWING NO.	
APPV'D ZIDI YE	2022-09-28	TYPE OF PROJECTION		SHEET 1 OF 1	REV	A1