

1 2 3 4 5 6

A

B

C

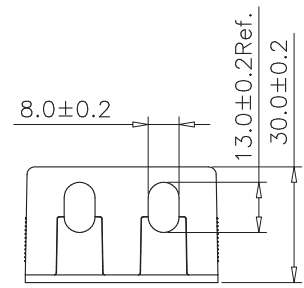
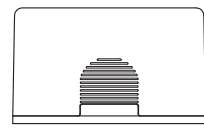
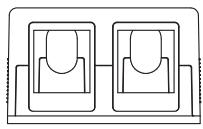
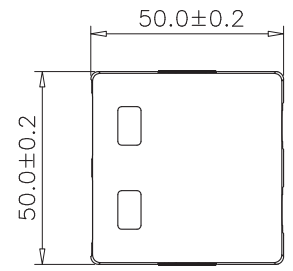
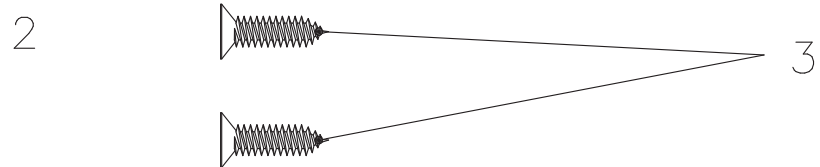
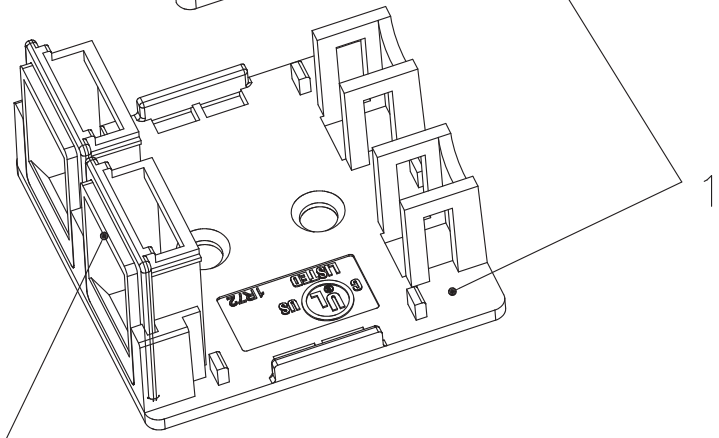
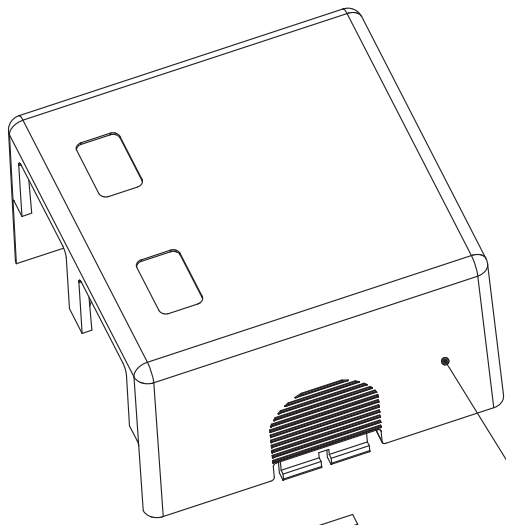
D

A

B

C

D



SCALE 1/1

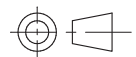
Specification :

- Material :
- 1. Box : ABS, UL 94V-0, with optional color.
 - 2. Bracket : ABS, UL 94V-0.
 - 3. Screw : M4X14.0X7.0mm.

Remark: PRO-SMB-KEY-2-x
 x: Plastic Color
 W = White; I = Ivory



GENERAL TOLERANCE OF DIMENSIONS x.xxx ±0.005 x.xx ±0.05 x.x ±0.1	DRAWING	30.JUN.2017	LTB	ITEM NO.: PRO-SMB-KEY-2-x
	CHECK	30.JUN.2017	DAY	
	APPROVAL	30.JUN.2017	JAIMY	
	SCALE	1/2 (A4)	UNIT	mm
DRAWING NO.		AAGPC00020412XX JE302A-XX(SA4)		DRAWING CLASSIFICATION
DRAWING CLASSIFICATION		S	SHEET	



1 2 3 4 5 6