

OUTDOOR FIBER DISTRIBUTION TERMINAL FPP-6S-W-15 | INSTALLATION MANUAL

**SAVE TIME & MONEY! BUY
FULLY LOADED
FROM TCS
TODAY!**

Product Description

Designed for FTTx deployments, the FPP-6S-W-15 outdoor fiber optic distribution box can accommodate select PLC splitters or loaded fiber pigtailed using fusion splicing (up to 6 SC or 8 LC patch or splice fibers, or 12 patch-only LC fibers). The box is constructed of the highest quality industrial plastic designed to withstand the harshest outdoor elements. Aesthetic appearance includes a glossy finish suitable for wall mounting on an office building or residence. Optional company logo silk screening available.

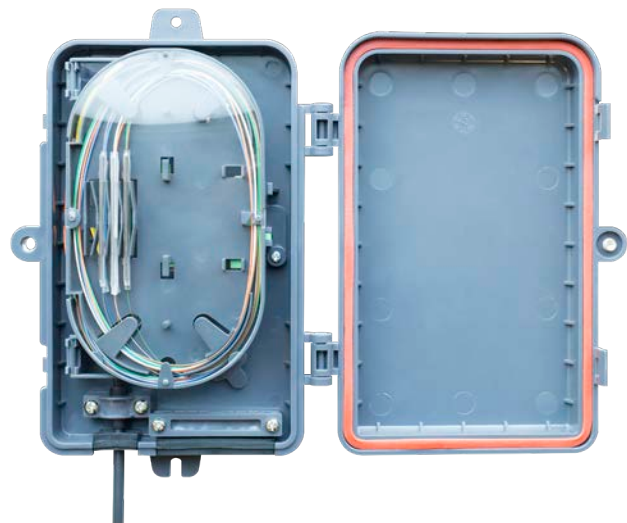
Includes area for storage, integrated splice tray, and separate area for the fiber management as well as connection to pigtailed to internal adapters. Non-interfering door.

Wall Mounting
Holes

Special Lock



Wall Mounting Holes



Special Key



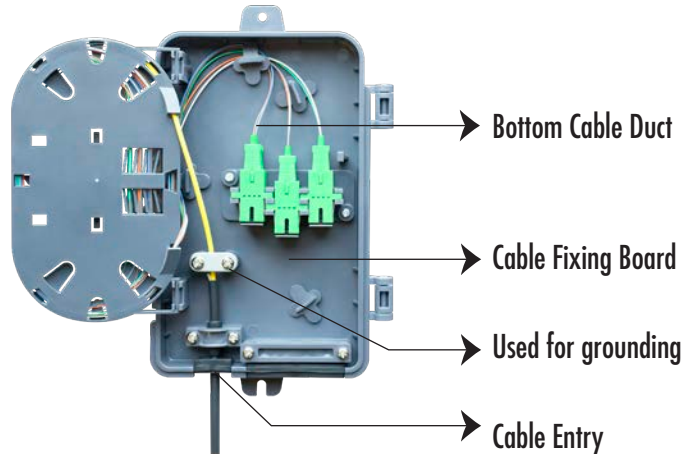
Included Hardware
(2 Anchors, 2 Screws,
6 Splice Sleeves)

Perfect solution to connect distribution cables to outside plant drop cables.

Installation Procedure

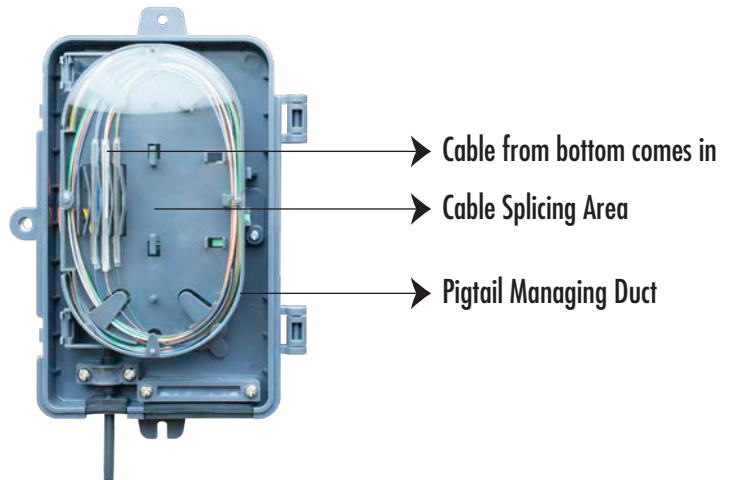
1. When stripping the optical fiber cable, insert it into the cable entry.

Next, fasten the cable with the cable fixing board so the cable goes through the bottom cable duct to reach the surface of the splice.

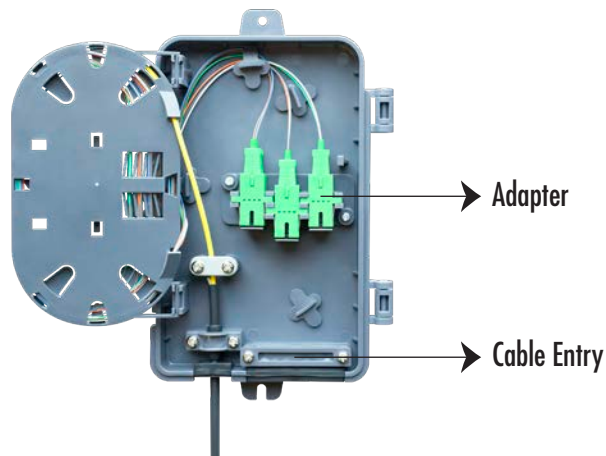


2. Place cable onto the surface of the splice tray and splice with the pigtail. Next, place extra pigtails and cables beside the splice tray and insert pigtail into adapters.

Then guide the pigtail through the splice tray into the pigtail managing duct. After splicing with inline cable place clear cover onto the splice tray.



3. Insert the pigtail connector into the adapter then cover and lock the splice tray.



**SAVE TIME & MONEY! BUY
FULLY LOADED
FROM TCS
TODAY!**

4. Lastly, locate the appropriate place for mounting installation and affix to wall with screws.

Specifications

- | | | |
|---------------------------------------|---------------------------------------|---|
| 1. Outdoor and indoor use | 6. Working Temperature: -40°C~+85°C | 11. Up to 6 SC or 8 LC patch or splice fibers, or 12 patch-only LC fibers |
| 2. Dimensions: 8.3 x 5.5 x 1.6 inches | 7. Relative humidity: ≤85% (+30°C) | 12. 6 splice sleeves included |
| 3. Material: PC/ABS blends | 8. Atmospheric pressure: 70Kpa~106Kpa | 13. 1 Special Key |
| 4. UV Resistant | 9. Holds select PLC splitters | 14. Available completely PRE-LOADED |
| 5. IP65 Protection level | 10. Grounding Piece | |



3 (of 3)